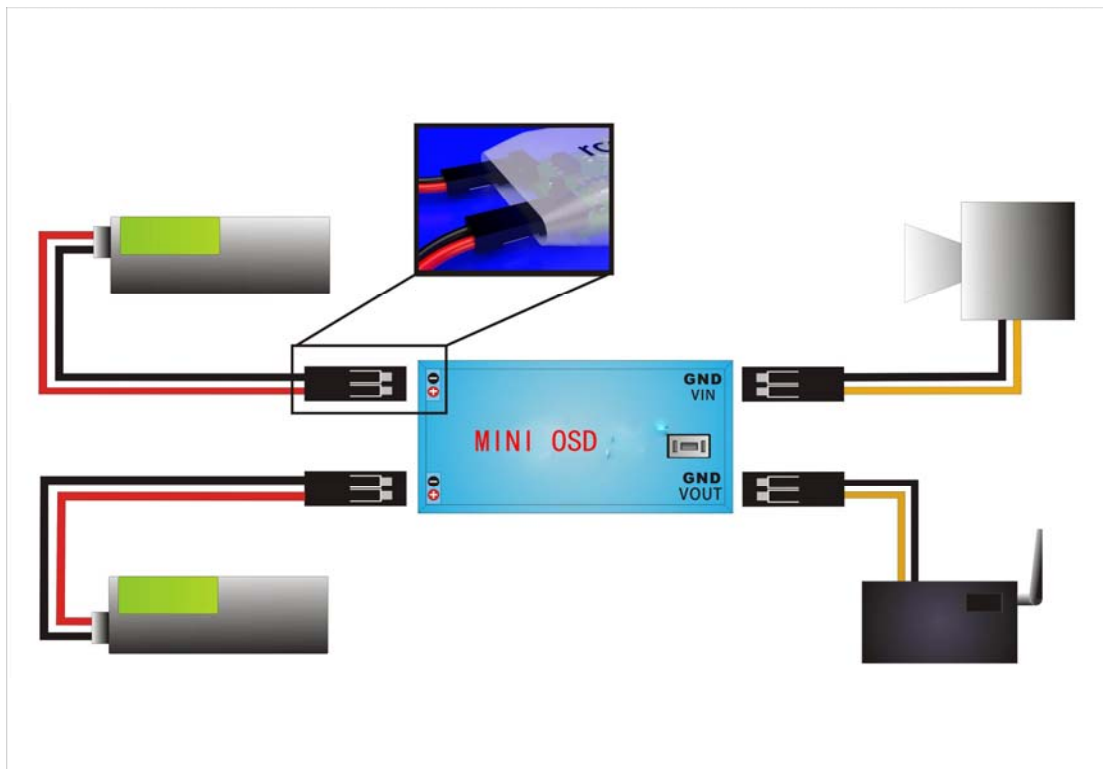


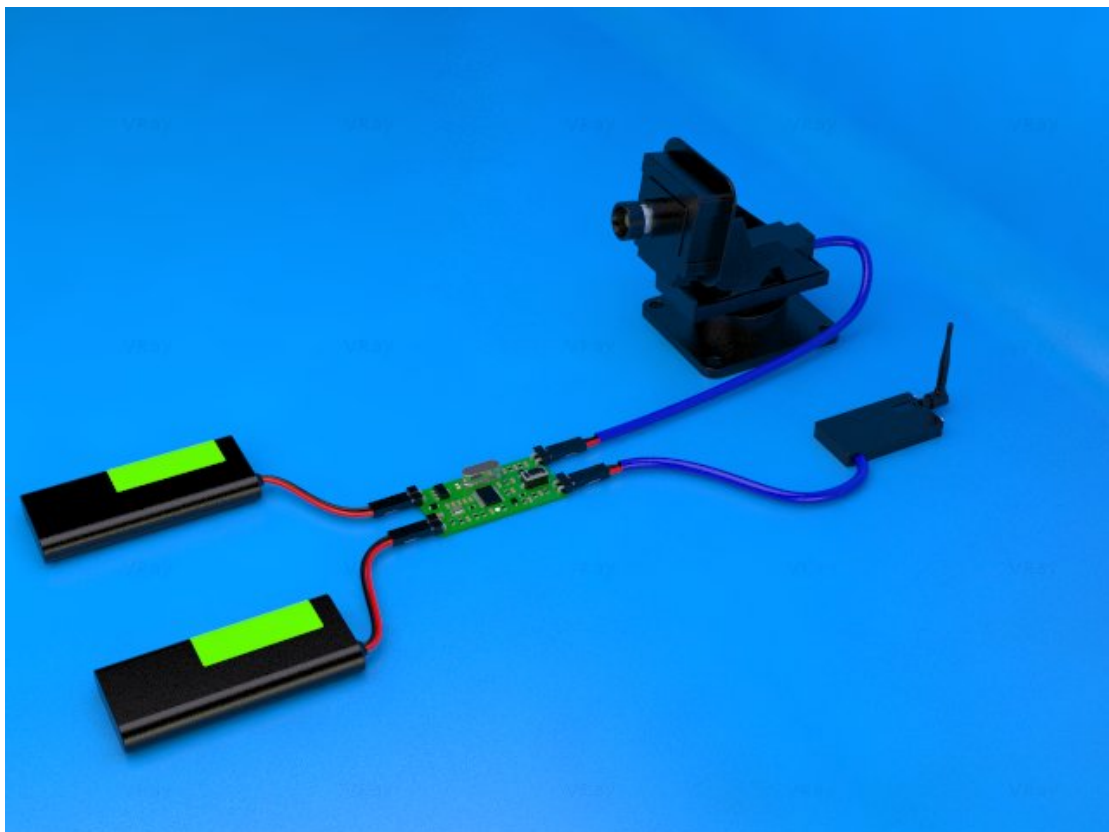
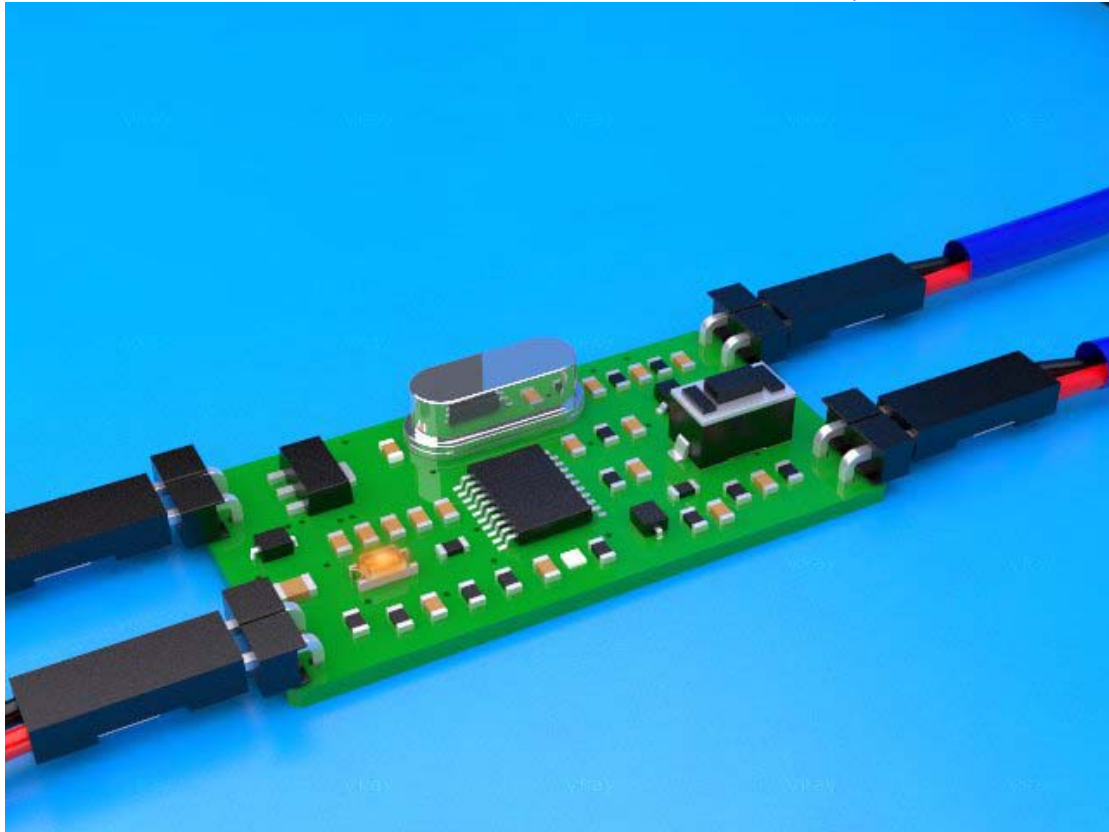
OS Mini OSD user manual

OS MINI OSD FEATURES:

1. It can check two voltages and overlap them onto the video signal. Factory calibration, its precision reaches $\pm 0.1V$.
2. The background is light dark when the data is displaying in overlapping way, this can ensure customers read clearly and precisely under strong light environment or the light dark background.
3. 40 position data modes are for choice. (We can change the mode numbers and the displaying position according to the request of our customer)
4. It can automatically record the last displaying position and won't be lost even the power is off.
5. LED light will flash when no video signal is received
6. The device can be connected in series way monitoring more voltages, and overlapping several OSD modules.



Additional Video connection port is for easy and convenient connection. VIN and VOUT can either be used interchangeably or use one of them in parallel way



It can monitor the voltage of two packs and only need one pack while working. The overlapping characters with light color background is very easy for figuring out because the sight contrast is

good enough.



